

Pulses:

Line numbers available up to 10000.

Mechanical data:

Dimensions	see drawings minor changes upon request
Housing	aluminium
Shaft	stainless steel
Permissible shaft loads	axial 10N radial 20N
Rotating speed	max. 10000 rpm.
Temperature range	0° up to 80°C
Vibration	10g (20Hz up to 2000Hz)
Shock	100g (11ms)
Water and dust protection	IP64 on shaft
2014/30/EU EMV-rules	DIN EN 61000-6-2: 2005 DIN EN 61000-6-3: 2007

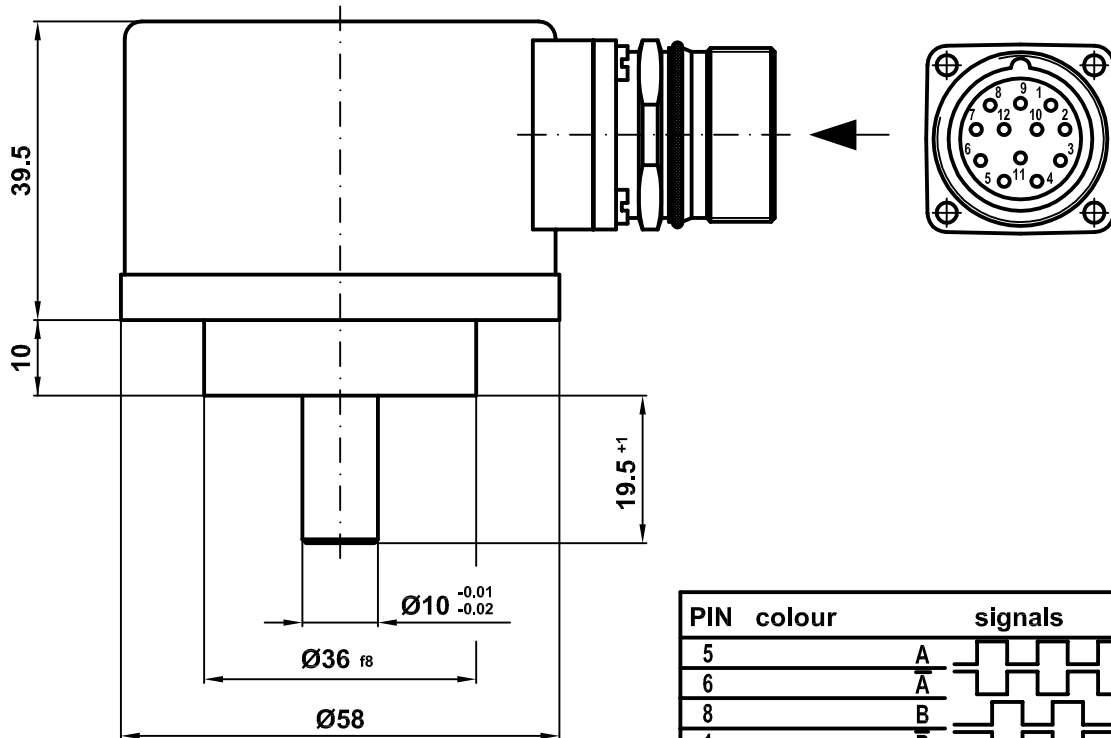
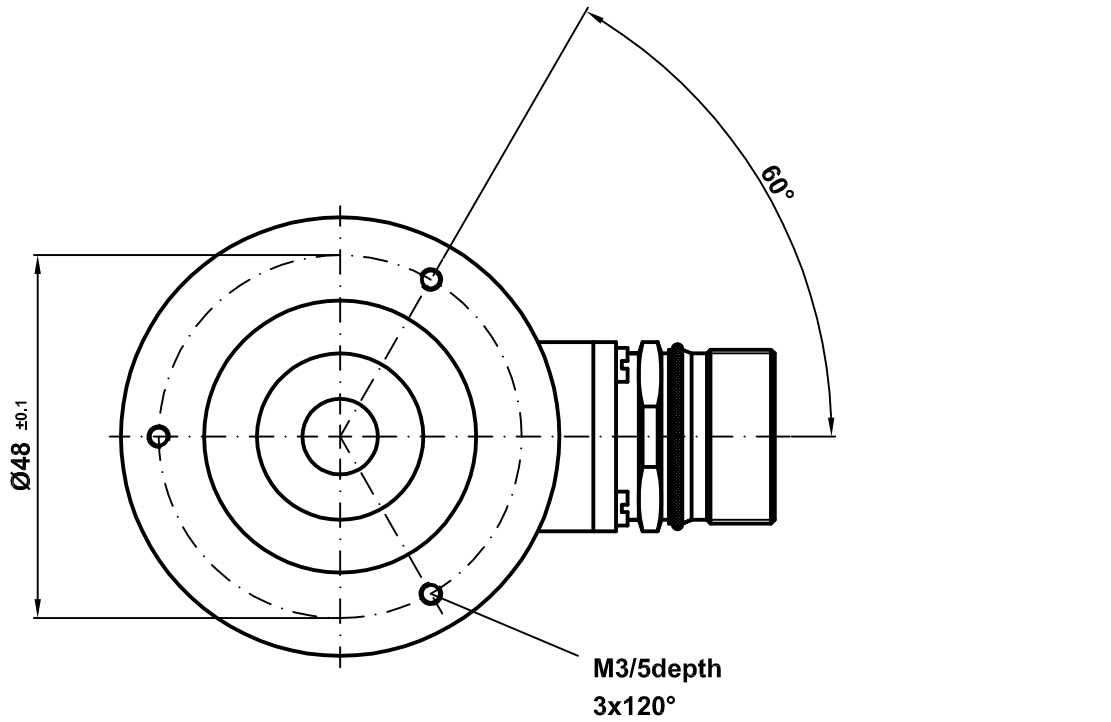
Electrical data:

Signals	square wave
LED	LED
Operating voltage	5V ± 5%
Current	max. 120mA
Scan frequency	300kHz
Output	5V Line-Driver
Current output	20mA
Output signals	2 channels A and B phase-shifted 90° electrically zero-pulse: 1 pulse per revolution; length: 90° electrically all signals with inversion possible

Tolerances:

	Phase angle (20°C)	Scan rate (20°C)
up to 20 kHz	± 10°	± 10°
up to 100 kHz	± 30°	± 30°

**Mechanical dimensions encoder-type AMI
B200/046 (40200053-XXXXX)**



PIN	colour	signals
5	A	
6	A	
8	B	
1	B	
3	H	
4	H	
12	10-30V	
10	0V	
2	10-30V	
11	0V	sensor
9	shield/housing	
connector 1002.4		